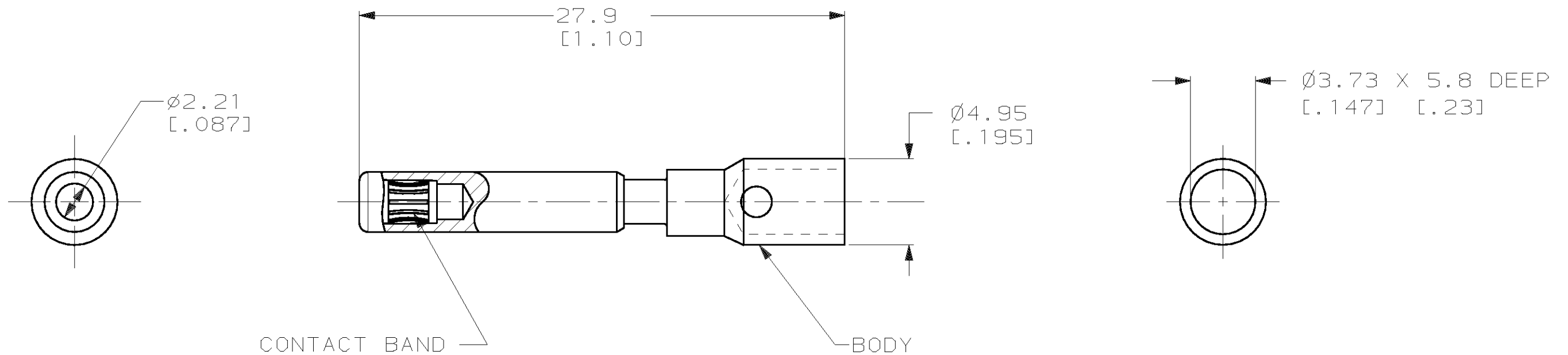


THIS DRAWING IS UNPUBLISHED. RELEASED FOR PUBLICATION, 19 .
 © COPYRIGHT 19 BY AMP INCORPORATED. ALL INTERNATIONAL RIGHTS RESERVED.

LOC	DIST	P	F	ZONE	LTR	DESCRIPTION	DATE	APPD
CH	11				C	ECN 95020301	02-03-95	CMS

- ① MATERIAL- BODY: COPPER ALLOY
BAND: BeCu
- ② FINISH- BODY AND BAND: 5.08μM [.000200] SILVER
OVER 1.02μM [.000040] NICKEL.
- 3. WIRE BARREL WILL ACCEPT #10 AWG WIRE.
- 4. MATES WITH AMP PART NUMBER 193796-1.



193797-1
PART NO

DO NOT SCALE PRINT. UNLESS SPECIFIED DIMENSIONS IN mm [INCHES] TOLERANCES ON: 1 PLC DEC ± 0.5 [.02] 2 PLC DEC ± 0.25 [.010] ANGLES ± -	DR J. TURNER 06-03-93
	CHK 11-17-93 ALG
	APPD 11-17-93 SR5
	APPD 11-17-93 PRG
MATERIAL ①	PRODUCT SPEC -
FINISH ②	APPLICATION SPEC -
	WEIGHT -

AMP AMP Incorporated Harrisburg, PA 17105-3608		
NAME SOCKET ASSY, LOUVERTAC, #10 AWG, UNIVERSAL MATE-N-LOK* II		
SIZE B	CAGE CODE 00779	DRAWING NO C-193797
SCALE NONE	SHEET 1 OF 1	

*MATE-N-LOK IS A TRADEMARK

THIS DRAWING IS A CONTROLLED DOCUMENT FOR AMP INCORPORATED. IT IS SUBJECT TO CHANGE AND THE CONTROLLING ENGINEERING ORGANIZATION SHOULD BE CONTACTED FOR THE LATEST REVISION.